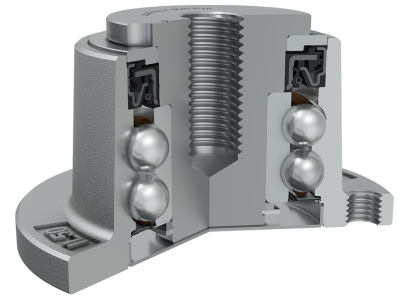
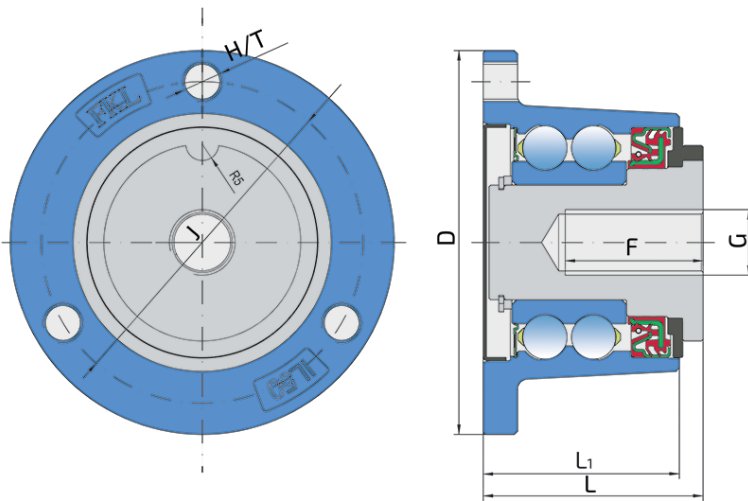


Integrated Flange, Maintenance-Free Bearing For Independent Discs

IL50S-98/3T-M20-R10

Integrated Flange, Maintenance-Free Bearing For Independent Discs
Disc Harrow



Technical Specification

J	Pitch circle diameter	98 mm
D	Outside diameter	117 mm
H/T	Hole/Thread	M12 mm
G	Internal Thread	M20 mm
L	Total length	67 mm
L1	Total flange length	60 mm
F	Length of threaded part	42 mm
kg	Mass	3.973 kg
Cdyn	Dynamic load rating	48.76 kN
Co	Static load rating	35.5 kN
Pu	Fatigue load limit	1.49 kN

Sealing

SHEET METAL SHIELD+RS SEAL / DIRTBLOCK SEAL+FORGED COVER PLATE

Sheet metal shield and RS seal on the base side and Dirtblock seal and Forged cover plate on the front side which is exposed to contaminants.

Sheet metal shield and RS seal together with attached disc eliminates the possibility of contamination from the base side. Dirtblock seal is designed for hard working condition at unfriendly environment. Half metal - half rubber outside diameter provides reliable seal retention in the bore and improves sealing performance. Inside diameter is covered by rubber and improves sealing performance and easy installation. Forged cover plate is additional, strong protection of the Dirtblock seal against mechanical damage.

This sealing provides maximum protection against liquid or solid contaminants, which significantly extends bearing service life.

